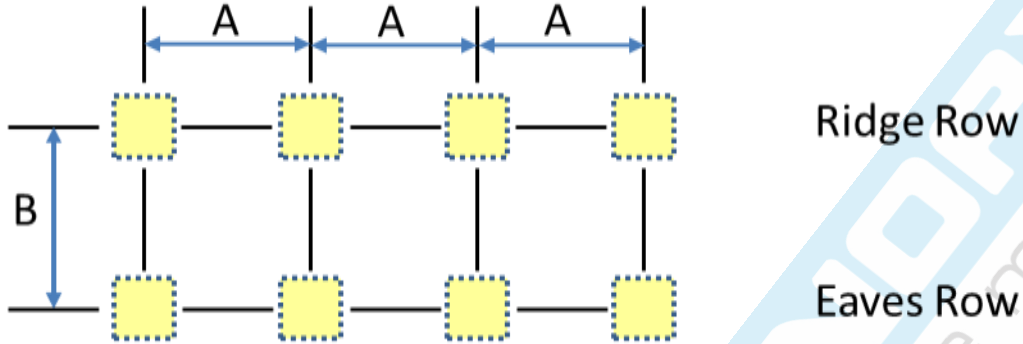


**Setting Out Foundation Holes**



Canopy Dimensions	Dimension A (Supporting Post Centres)	Dimension B (Supporting Post centres)	Qty. of Foundation Holes
3.1m W x 2.0m P	3,025mm	1,944mm	4
4.2m W x 2.0m P	2,063mm	1,944mm	6
5.2m W x 2.0m P	2,563mm	1,944mm	6
6.3m W x 2.0m P	2,075mm	1,944mm	8
7.4m W x 2.0m P	2,442mm	1,944mm	8
3.1m W x 2.5m P	3,025mm	2,466mm	4
4.2m W x 2.5m P	2,063mm	2,466mm	6
5.2m W x 2.5m P	2,563mm	2,466mm	6
6.3m W x 2.5m P	2,075mm	2,466mm	8
7.4m W x 2.5m P	2,442mm	2,466mm	8
3.1m W x 3.0m P	3,025mm	2,980mm	4
4.2m W x 3.0m P	2,063mm	2,980mm	6
5.2m W x 3.0m P	2,563mm	2,980mm	6
6.3m W x 3.0m P	2,075mm	2,980mm	8
7.4m W x 3.0m P	2,442mm	2,980mm	8
3.5m W x 3.5m P	1,712mm	3,490mm	6
4.2m W x 3.5m P	2,063mm	3,490mm	6
4.9m W x 3.5m P	2,412mm	3,490mm	6
5.6m W x 3.5m P	2,763mm	3,490mm	6
6.3m W x 3.5m P	2,075mm	3,490mm	8
7.0m W x 3.5m P	2,308mm	3,490mm	8
7.8m W x 3.5m P	2,575mm	3,490mm	8
8.4m W x 3.5m P	2,775mm	3,490mm	8
4.2m W x 4.0m P	2,063mm	3,997mm	6
4.9m W x 4.0m P	2,412mm	3,997mm	6
5.6m W x 4.0m P	2,763mm	3,997mm	6
6.3m W x 4.0m P	2,075mm	3,997mm	8
7.0m W x 4.0m P	2,308mm	3,997mm	8
7.8m W x 4.0m P	2,575mm	3,997mm	8
8.4m W x 4.0m P	2,775mm	3,997mm	8