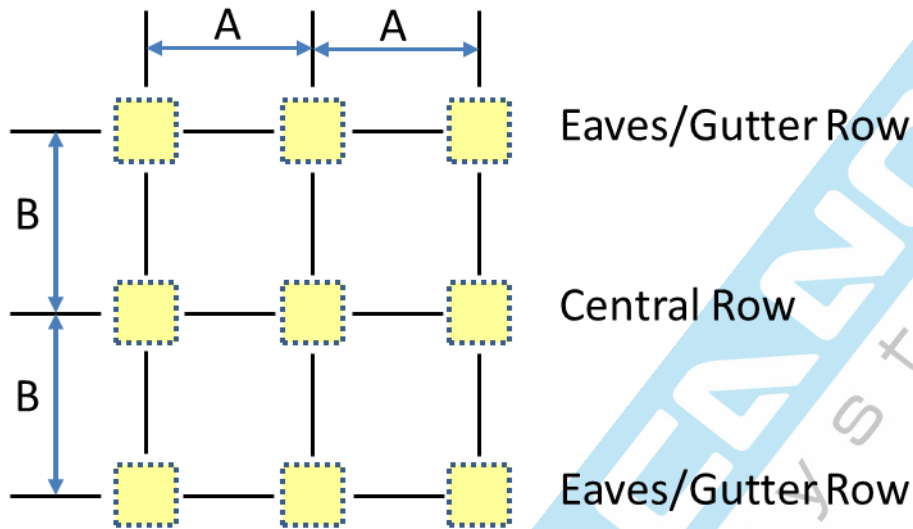


Setting Out Foundation Holes



Canopy Dimensions	Dimension A (Supporting Post Centres)	Dimension B (Supporting Post Centres)	Qty. of Foundation Holes
6.2m W x 6.2m P	3,062mm	3,075mm	9
7.0m W x 6.2m P	3,462mm	3,075mm	9
8.0m W x 6.2m P	3,962mm	3,075mm	9
6.2m W x 7.0m P	3,062mm	4,075mm	9
7.0m W x 7.0m P	3,462mm	4,075mm	9
8.0m W x 7.0m P	3,962mm	4,075mm	9