

Document: Foundation Holes – Standard Canopy Range

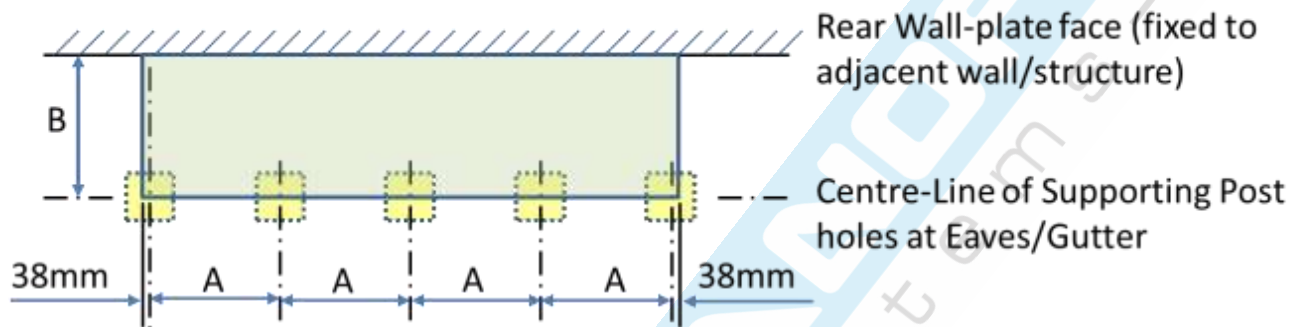
Guide No: 015

Description: Omega Lean-To Canopy

Page 1 of 3

Setting Out Foundation Holes for Standard Range of Lean-To Canopies

PLAN VIEW (from above canopy)



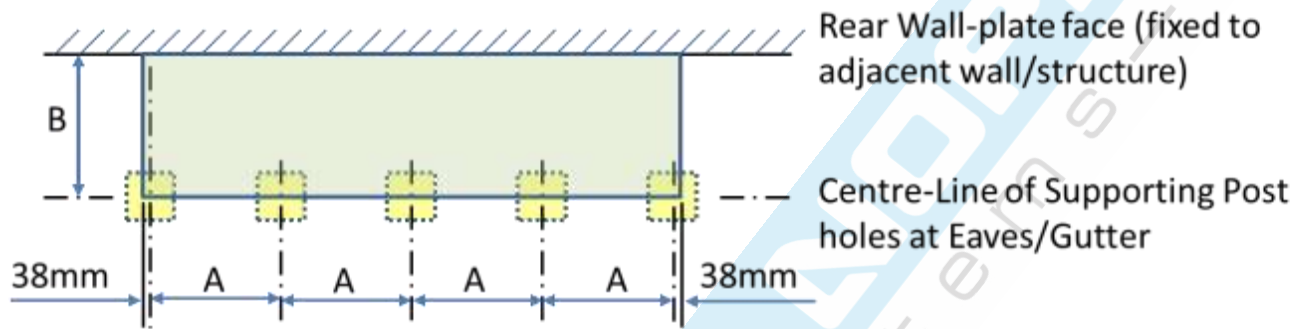
Canopy Size	Dim. A (Suppt.ing Post Hole Centres)	Dim. B (Suppt. Pst. Centres) @ 5 degrees	Dim. B (Suppt. Pst. Centres) @ 10 degrees	Dim. B (Suppt. Pst. Centres) @ 15 degrees	Dim. B (Suppt. Pst. Centres) @ 20 degrees	Qty. Found.n Holes
2.1m W x 1.5m P	2,025mm	1,538mm	1,528mm	1,498mm	1,458mm	2
3.1m W x 1.5m P	3,025mm	1,538mm	1,528mm	1,498mm	1,458mm	2
4.2m W x 1.5m P	2,062mm	1,538mm	1,528mm	1,498mm	1,458mm	3
5.2m W x 1.5m P	2,562mm	1,538mm	1,528mm	1,498mm	1,458mm	3
6.3m W x 1.5m P	2,075mm	1,538mm	1,528mm	1,498mm	1,458mm	4
7.4m W x 1.5m P	2,442mm	1,538mm	1,528mm	1,498mm	1,458mm	4
2.1m W x 2.0m P	2,025mm	2,038mm	2,018mm	1,978mm	1,928mm	2
3.1m W x 2.0m P	3,025mm	2,038mm	2,018mm	1,978mm	1,928mm	2
4.2m W x 2.0m P	2,062mm	2,038mm	2,018mm	1,978mm	1,928mm	3
5.2m W x 2.0m P	2,562mm	2,038mm	2,018mm	1,978mm	1,928mm	3
6.3m W x 2.0m P	2,075mm	2,038mm	2,018mm	1,978mm	1,928mm	4
7.4m W x 2.0m P	2,442mm	2,038mm	2,018mm	1,978mm	1,928mm	4
2.1m W x 2.5m P	2,025mm	2,538mm	2,508mm	2,458mm	2,398mm	2
3.1m W x 2.5m P	3,025mm	2,538mm	2,508mm	2,458mm	2,398mm	2
4.2m W x 2.5m P	2,062mm	2,538mm	2,508mm	2,458mm	2,398mm	3
5.2m W x 2.5m P	2,562mm	2,538mm	2,508mm	2,458mm	2,398mm	3
6.3m W x 2.5m P	2,075mm	2,538mm	2,508mm	2,458mm	2,398mm	4
7.4m W x 2.5m P	2,442mm	2,538mm	2,508mm	2,458mm	2,398mm	4
2.1m W x 3.0m P	2,025mm	3,038mm	2,998mm	2,948mm	2,868mm	2
3.1m W x 3.0m P	3,025mm	3,038mm	2,998mm	2,948mm	2,868mm	2
4.2m W x 3.0m P	2,062mm	3,038mm	2,998mm	2,948mm	2,868mm	3
5.2m W x 3.0m P	2,562mm	3,038mm	2,998mm	2,948mm	2,868mm	3
6.3m W x 3.0m P	2,075mm	3,038mm	2,998mm	2,948mm	2,868mm	4
7.4m W x 3.0m P	2,442mm	3,038mm	2,998mm	2,948mm	2,868mm	4

Document: Foundation Holes – Standard Canopy Range
 Guide No: 015
 Description: Omega Lean-To Canopy

Page 2 of 3

Setting Out Foundation Holes for Standard Range of Lean-To Canopies

PLAN VIEW (from above canopy)



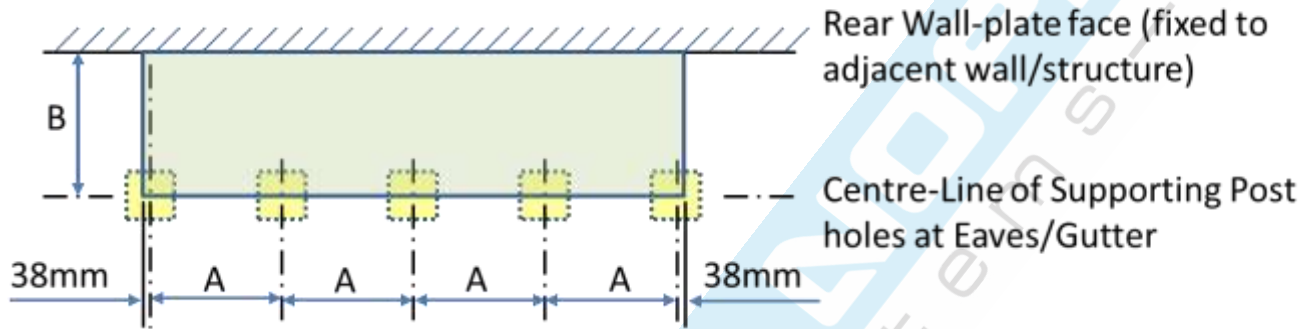
Canopy Size	Dim. A (Suppt.ing Post Hole Centres)	Dim. B (Suppt. Pst. Centres) @ 5 degrees	Dim. B (Suppt. Pst. Centres) @ 10 degrees	Dim. B (Suppt. Pst. Centres) @ 15 degrees	Dim. B (Suppt. Pst. Centres) @ 20 degrees	Qty. Found.n Holes
2.1m W x 3.5m P	2,025mm	3,538mm	3,498mm	3,428mm	3,338mm	2
2.8m W x 3.5m P	2,725mm	3,538mm	3,498mm	3,428mm	3,338mm	2
3.5m W x 3.5m P	1,712mm	3,538mm	3,498mm	3,428mm	3,338mm	3
4.2m W x 3.5m P	2,062mm	3,538mm	3,498mm	3,428mm	3,338mm	3
4.9m W x 3.5m P	2,412mm	3,538mm	3,498mm	3,428mm	3,338mm	3
5.6m W x 3.5m P	2,762mm	3,538mm	3,498mm	3,428mm	3,338mm	3
6.3m W x 3.5m P	2,075mm	3,538mm	3,498mm	3,428mm	3,338mm	4
7.0m W x 3.5m P	2,308mm	3,538mm	3,498mm	3,428mm	3,338mm	4
7.8m W x 3.5m P	2,575mm	3,538mm	3,498mm	3,428mm	3,338mm	4
8.4m W x 3.5m P	2,775mm	3,538mm	3,498mm	3,428mm	3,338mm	4
9.2m W x 3.5m P	2,281mm	3,538mm	3,498mm	3,428mm	3,338mm	5
2.1m W x 4.0m P	2,025mm	4,038mm	3,988mm	3,908mm	3,808mm	2
2.8m W x 4.0m P	2,725mm	4,038mm	3,988mm	3,908mm	3,808mm	2
3.5m W x 4.0m P	1,712mm	4,038mm	3,988mm	3,908mm	3,808mm	3
4.2m W x 4.0m P	2,062mm	4,038mm	3,988mm	3,908mm	3,808mm	3
4.9m W x 4.0m P	2,412mm	4,038mm	3,988mm	3,908mm	3,808mm	3
5.6m W x 4.0m P	2,762mm	4,038mm	3,988mm	3,908mm	3,808mm	3
6.3m W x 4.0m P	2,075mm	4,038mm	3,988mm	3,908mm	3,808mm	4
7.0m W x 4.0m P	2,308mm	4,038mm	3,988mm	3,908mm	3,808mm	4
7.8m W x 4.0m P	2,575mm	4,038mm	3,988mm	3,908mm	3,808mm	4
8.4m W x 4.0m P	2,775mm	4,038mm	3,988mm	3,908mm	3,808mm	4
9.2m W x 4.0m P	2,281mm	4,038mm	3,988mm	3,908mm	3,808mm	5

Setting Out Foundation Holes for Standard Range of Lean-To Canopies

Document: Foundation Holes – Standard Canopy Range
 Guide No: 015
 Description: Omega Lean-To Canopy

Page 3 of 3

PLAN VIEW (from above canopy)



Canopy Size	Dim. A (Suppt.ing Post Hole Centres)	Dim. B (Suppt. Pst. Centres) @ 5 degrees	Dim. B (Suppt. Pst. Centres) @ 10 degrees	Dim. B (Suppt. Pst. Centres) @ 15 degrees	Dim. B (Suppt. Pst. Centres) @ 20 degrees	Qty. Found.n Holes
3.1m W x 4.5m P	3,025mm	4,528mm	4,478mm	4,398mm	4,278mm	2
3.5m W x 4.5m P	1,712mm	4,528mm	4,478mm	4,398mm	4,278mm	3
4.2m W x 4.5m P	2,062mm	4,528mm	4,478mm	4,398mm	4,278mm	3
4.8m W x 4.5m P	2,384mm	4,528mm	4,478mm	4,398mm	4,278mm	3
5.2m W x 4.5m P	2,562mm	4,528mm	4,478mm	4,398mm	4,278mm	3
5.9m W x 4.5m P	2,921mm	4,528mm	4,478mm	4,398mm	4,278mm	3
6.3m W x 4.5m P	2,075mm	4,528mm	4,478mm	4,398mm	4,278mm	4
7.0m W x 4.5m P	2,305mm	4,528mm	4,478mm	4,398mm	4,278mm	4
7.4m W x 4.5m P	2,442mm	4,528mm	4,478mm	4,398mm	4,278mm	4
8.0m W x 4.5m P	2,663mm	4,528mm	4,478mm	4,398mm	4,278mm	4
8.4m W x 4.5m P	2,775mm	4,528mm	4,478mm	4,398mm	4,278mm	4
9.1m W x 4.5m P	2,266mm	4,528mm	4,478mm	4,398mm	4,278mm	5